



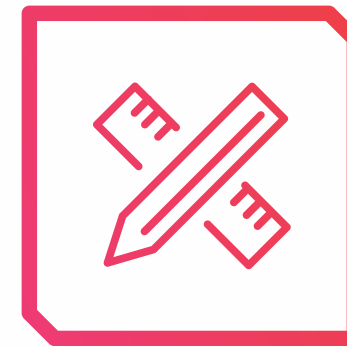
VTP
PURVANCHAL
WAGHOLI, PUNE



Customer delight is precious to us and we are making every possible effort to achieve it. Every project, be it residential or commercial is built with thoughtfulness behind. VTP Realty can be relied on for delivering superior quality, transparency and maximum value to the last detail with every home. Building lasting relationships with customers, by staying connected with them through their journey and beyond strengthens this trust.

VTP Realty is backed by the 30-year young VTP Group, holding a prominent position in supplying best quality raw-materials; cement & steel in Maharashtra. The Group has successfully constructed close to 100 projects for Government agencies, infrastructure companies and reputed real-estate developers across the country.

WE CARE MORE
with our three-tiered philosophy



BETTER DESIGN



BETTER BUILD



BETTER CARE



VTP
PURVANCHAL
WAGHOLI, PUNE

BETTER BUILD

BETTER DESIGN

BETTER CARE



VTP **PURVANCHAL**

It is easy to get stunned by VTP Purvanchal. Spread across an enormous 11 acres, it is a well-integrated project. As the name suggests, the project is being planned in the Eastern side of Pune - Wagholi. The rising sun will add vigour to the number of activities as there is a massive 40,000 sq. ft. (3716.12 sq. m.) area earmarked for recreation.

Inspite of its huge scale, Purvanchal has been meticulously crafted with emphasis on every aspect that will enhance your living experience.

1 BHK – 482 sq. ft. (44.77 sq. m.)

2 BHK – 648 to 948 sq. ft. (60.20 to 88.07sq. m.)

3 BHK – 1258 sq. ft. (116.87 sq. m.)



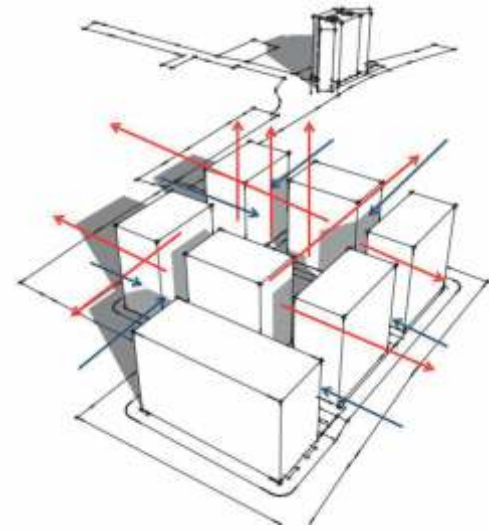
BETTER DESIGN

Right from the project to the apartment level, VTP Purvanchal has been intelligently planned.

Every building is like an island as there is adequate space between the buildings. There is an entrance lobby with waiting lounge in every building. Even the floor lobbies are well-planned. The space inside the apartments is designed to give you maximum usable area in the house.

Not to forget, there are three recreation zones, each catering to every member of your family.

SUN AND WIND MAKE IT PURVANCHAL.



CROSS VENTILATION

At the project level

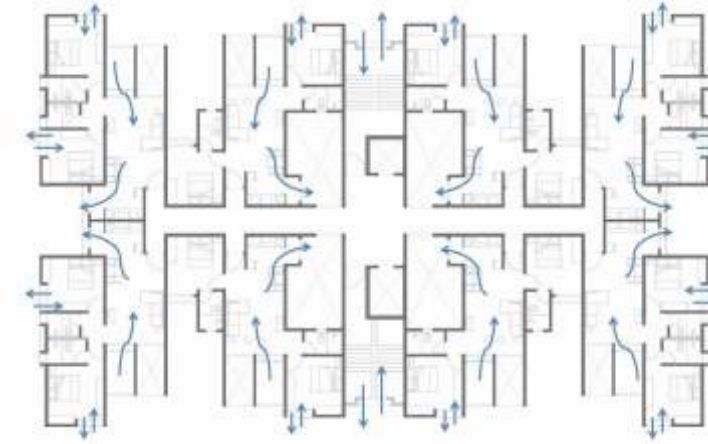
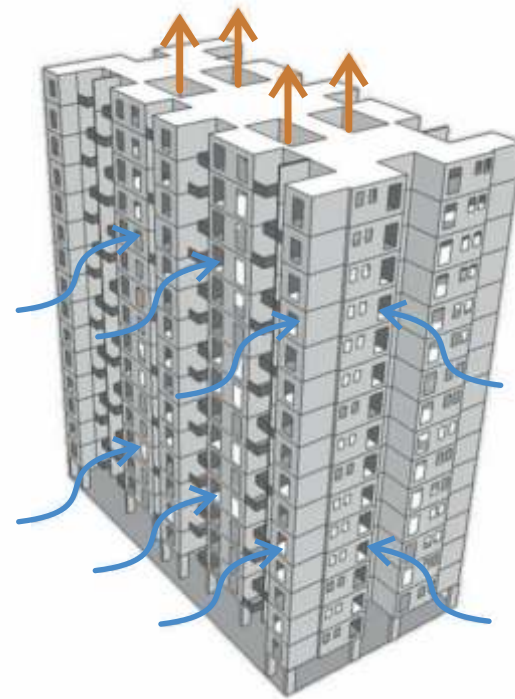
Good courtyard planning helps in cross ventilation at the site level. Windows placed on opposite sides of the building allow the cooler external air to enter the building, while the warmer internal air is sucked out from the leeward side.

- ← Warm air exhausting from the site.
- ← Pre-cooled air entering the site.

At the building level

The stack-effect causes air infiltration. When the air is heated, it becomes less dense and rises up, reducing the pressure in the base of the building and driving the cooler air inside.

At VTP Purvanchal, the warmer air rises upwards and flows out from the shafts on the building roof, allowing the cooler air to enter through the windows. Thus maintaining the overall temperature of the building to be cool.

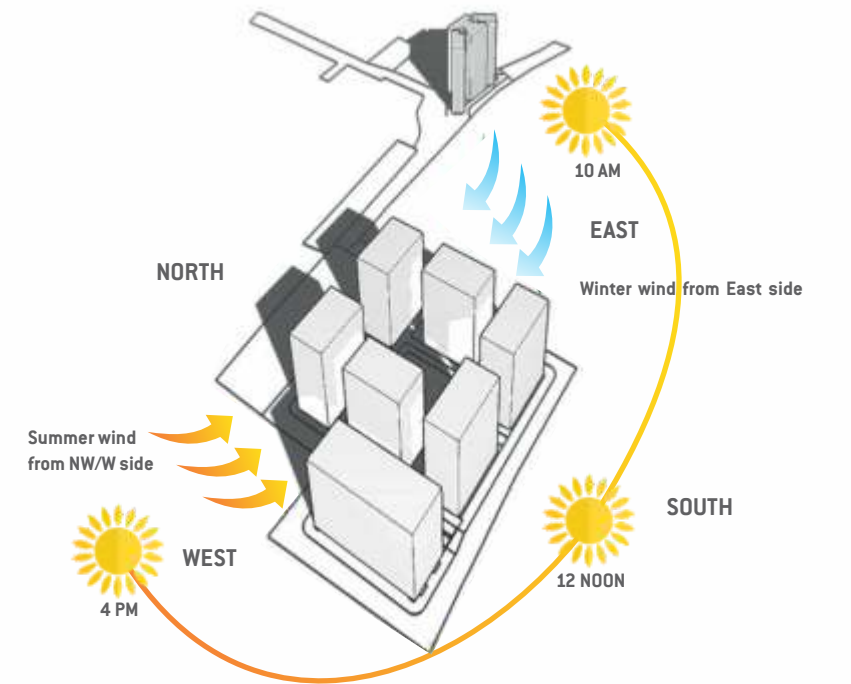


At the floor level

The floor level cross ventilation helps improve the quality of air inside the homes.

SUN-PATH ANALYSIS

It has helped to design VTP Purvanchal in a way that while the apartments are well-lit, the buildings will not gain direct heat from the sun. Also, the positioning of the buildings is such that maximum part of the open spaces will get diffused sunlight, making them more user-friendly.



DISTANCE BETWEEN BUILDINGS

Would you like to hear conversations from the adjacent building? No, isn't it? That's why, every building at VTP Purvanchal is like an island. There is enough space between the buildings that ensures privacy, ventilation and plenty of sunlight.

2 BHK



MAXIMUM USABLE AREA

Emphasis has been given to space utilization. We've maximized the potential of each apartment. You'll feel the difference once you step into your home. There is no wastage of space in corridors and premises too.

CENTRAL OPEN SPACE AND THE KIDS' TURF

Easily accessible from all the buildings and the center of all the action, this zone is perfect for the entire family to come and bond outdoors. Celebrate indoors at the clubhouse or raise a toast outdoors at the party lawn designed as an extension of the community hall. There is a barbeque arena with seating plaza too. You can work-out indoors enjoying the view of green lawn and swimming pool outside. You can also work-out outdoors under the sky, in the company of fresh air.

What makes it more interesting is the kids' turf planned as a safe and secure play area. You can watch them swim in the kids' pool while you are taking a swim in the main pool with water gargoyles along with wooden pergola. Or you can watch their splashes from the specially built wooden decks. The kids' play area surrounded by landscaped gazebo seating makes it perfect for the guardians.

A morning jog or an evening walk along the specially crafted track accompanied by thick plantation will be equally interesting.



- ① Multipurpose Hall
- ② Gymnasium
- ③ Day Care Centre
- ④ Party Lawn
- ⑤ Barbeque Area
- ⑥ Jogging Track
- ⑦ Outdoor Gym
- ⑧ Swimming Pool
- ⑨ Kids' Play Area



RECREATION **ZONE 1** ZONE 2 ZONE 3

INDOOR & OUTDOOR GYM



SWIMMING POOL WITH KIDS' POOL



KIDS' PLAY AREA



CLUBHOUSE

THE GROWN-UPS' ARENA



This is a high energy zone designed for the youthful crowd at VTP Purvanchal. One can enjoy basketball, volleyball or tennis on the multi-purpose court. There is a provision for playing net cricket too. You can play a match late in the evening post work or after dinner, without disturbing others as this zone is a little sheltered away. Kids are never short of energy, so we have another kids' play area in this zone.

- 1 Multipurpose Court
- 2 Kids' Play area
- 3 Net Cricket Pitch
- 4 Skating Rink



SKATING RINK



MULTIPURPOSE COURT WITH A SPECTATORS' GAZEBO



RECREATION ZONE 1 ZONE 2 **ZONE 3**

EAST-INSPIRED ZONE FOR SENIOR CITIZENS



The sun plays an important part in our lives. As 8 out of the 12 months are mostly cooler in Pune, fresh sunlight from the rising sun can have a positive effect on one's physical and mental health. This East-inspired zone has a mix of recreation and health zones. Relish the peace in the herbal garden or meditate in the neighbouring yoga lawn. Experience new performances at the amphitheatre. Get some more positive energy from the sun with the jogging track running along the periphery.

A special garden is designed to cater to all the passive activities. You will also discover a senior citizens' plaza placed between yoga lawn and a reflective pool along with the sunken pavilion for camp fire.

- 1 Amphitheatre
- 2 Yoga Arena
- 3 Jogging Track & Reflexology Path
- 4 Senior Citizens' Arena
- 5 Temple & Pavilion
- 6 Herbal Garden
- 7 Camp Fire Court



RECREATION ZONE 1 ZONE 2 **ZONE 3**

AMPHITHEATRE, YOGA ARENA WITH JOGGING & REFLEXOLOGY PATH



SUNKEN PAVILION, HERBAL GARDEN, TEMPLE, REFLECTIVE POOL



A woman in a pink sari is smiling and looking at a bottle of sauce in a convenience store. She is holding a white bag. The shelves are stocked with various bottles of sauces and condiments.

CONVENIENCE STORES WITHIN THE PREMISE

We are making certain that you never have to struggle to procure essentials. Everything that you need on a day-to-day basis would be available at the stores located within the premise.

A bright, modern day care center with colorful walls (red, green, blue) and large windows. Children are playing at tables with toys, and a large green stuffed frog is visible in the foreground.

DAY CARE CENTRE

Don't be concerned about your kids while you are at work. There is a well-equipped Day Care Centre, which is a part of the project. Trust us, your children are going to have a great time here.

ENTRANCE LOBBY

An entrance lobby is aesthetically designed to make a good impression. The guests would be stunned by the magnificence if they spend some time at the waiting lounge that is a part of this lobby.



THREE-TIER SECURITY

The three-tier security at VTP Purvanchal would make it difficult for any stranger to visit your home without your consent.

- The Tier 1 security is at the main entrance gate
- Tier 2 is in the building lobby
- Tier 3 is outside your home

There is a video door phone and intercom facility.





BETTER BUILD

Our rich experience spanning more than 3 decades enables us to offer a good quality product featuring premium specifications without charging extra money. It also ensures timely possession of the apartments.



TUNNEL FORM TECHNOLOGY

A modern technology imported from France, the Tunnel Form Technology comes with a host of advantages. The engineering of the project ensures absolutely clear floor space, resulting in more usable area inside homes, superior wall finishes (exterior & interior) and faster delivery. Strong homes means less maintenance. You would be really proud to be a VTP Purvanchal resident.

INTERIOR FITTINGS

- **Flooring**
 - Entrance lobby, living room, dining room, all bedrooms & kitchen - vitrified tiles (600 x 600 mm)
 - Terraces - anti-skid ceramic tiles
- **Kitchen**
 - Granite kitchen platform
 - S. S. Sink
 - Ceramic / glazed tiles above kitchen platform up to 2'
- **Toilets**
 - CP fittings – Jaquar / equivalent make fittings in all toilets
 - Flooring - anti-skid ceramic tiles
 - Designer decorative dado tiles up to lintel level
 - Concealed anti-corrosive plumbing
 - Solar connection for master toilet
- **Wall finishes**
 - Superior (OBD) paint for internal wall
 - Exterior - superior quality water proof paint
- **Doors**
 - Decorative laminated main entrance door
 - Internal doors - laminated flush doors
 - Granite frames for toilets
- **Windows**
 - Powder coated aluminium sliding windows
 - Granite sill at the bottom for all windows
 - Louvres for all toilets
- **Electrical fittings**
 - Switches – Anchor / equivalent make modular switches
 - Concealed copper wiring with MCB
 - Adequate electrical points with TV & telephone points in the living room
 - 100% DG back-up for lifts & common areas
- **Automation**
 - Video door phone
 - Intercom facility

COMMON AMENITIES

- 1 STP (Sewage Treatment Plant)
- 2 Rainwater Harvesting
- 3 OWC (Organic Waste Management)





BETTER CARE

We charge only 50% upon RCC completion

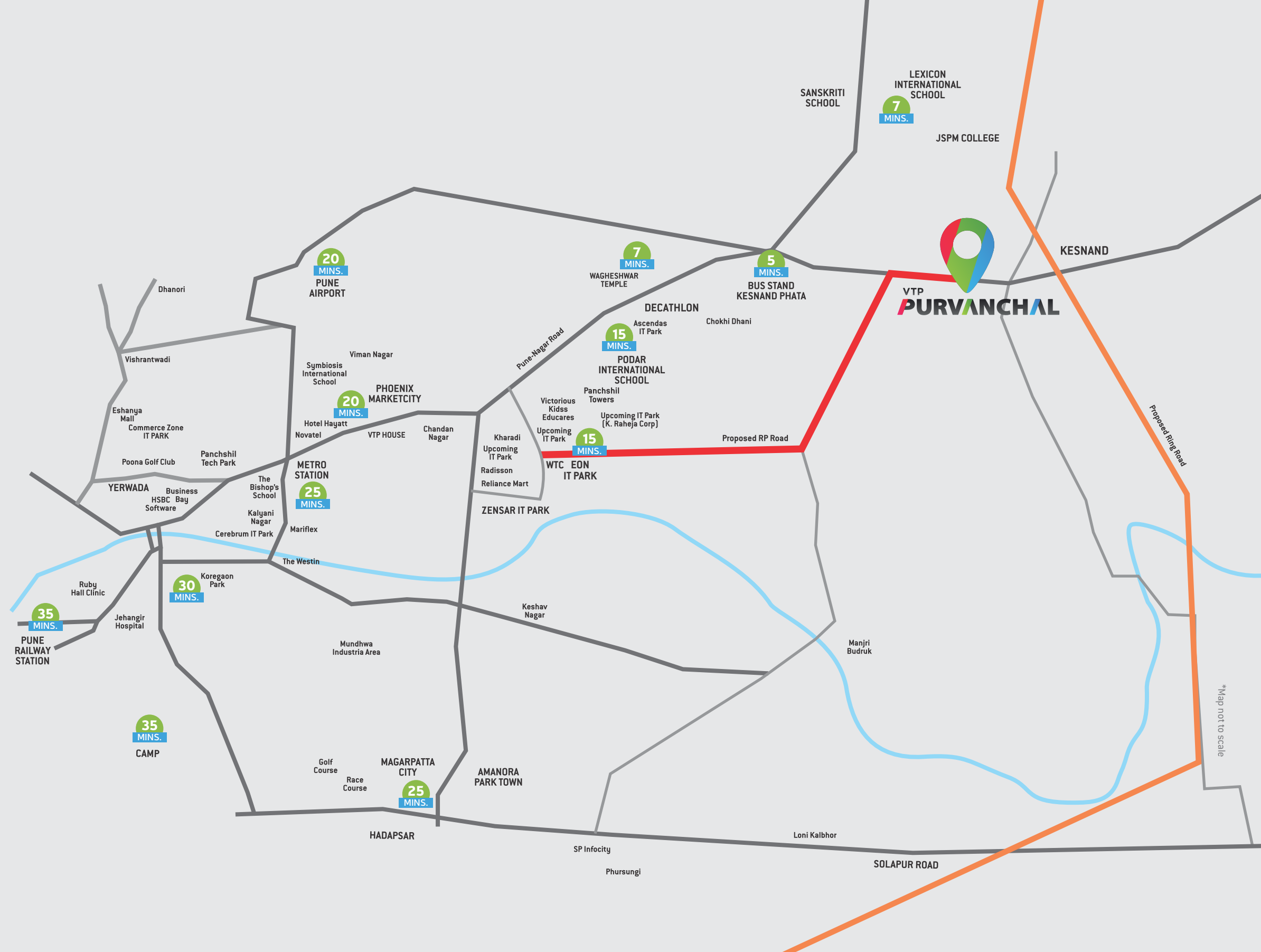
There are no cancellation charges

There is no transfer fee

We help you settle better by organizing fun and enjoyable group activities for the first 6 months after you move into your new home

Robust feedback mechanism

Professionally managed team facilitating leasing and resale of property



LOCATION

As VTP Purvanchal is located away from the highway, it is almost a no-pollution zone. This ensures a healthy environment for your children and family. In the coming years, Wagholi is all set to become the next Kharadi. The newly sanctioned RP road will make access to Kharadi even easier. The swift pace of development in Kharadi and the arrival of renowned IT companies is going to make it a happening destination.

A solid infrastructure and proximity to everything conceivable is what makes Wagholi an obvious choice. It is well connected to the industrial belt of Sanaswadi and Ranjangaon MIDC. Not just the daily conveniences, but all sorts of luxuries, entertainment is within an easy reach.

EASY DRIVING DISTANCES



IT & INDUSTRIAL HUBS

- EON IT Zone, World Trade Centre, Zensar IT Park, Mantri Tech Park & K Raheja (upcoming IT park): 15 mins.
- Magarpatta IT Park: 25 mins.
- Panchshil Tech Park: 25 mins.
- Raheja Commerzone: 30 mins.
- SP Infocity: 40 mins.
- Ranjangaon Industrial Estate having companies like LG, TATA Fiat, Whirlpool, 3M: 45 mins.



EDUCATION

- Lexicon International School: 10 mins.
- Sanskriti School: 10 mins.
- Victorious Kidss Educares: 15 mins.
- Podar International School: 15 mins.
- The Bishop's School: 25 mins.



HEALTHCARE

- Care Hospital, Wagholi: 10 mins.
- Lifeline Hospital, Wagholi: 10 mins.
- Columbia Asia Hospital: 20 mins.



RESTAURANTS

- Hotel Kaveri: 10 mins.
- Shangri-la: 10 mins.
- Hotel Radisson Blu: 15 mins.
- Hyatt: 20 mins.
- Novotel: 20 mins.



SHOPPING & ENTERTAINMENT

- Reliance Mart: 15 mins.
- Phoenix Market City Mall: 20 mins.
- Amanora Mall: 25 mins.
- Seasons Mall: 25 mins.



AIRPORT & RAILWAY STATION

- Airport: 20 mins.
- Railway Station: 35 mins.



VTP Realty cares more. Be it its customers or the environment. Once you are done reading through this brochure, do pass it on to someone you think may be interested in buying a home at VTP Purvanchal. Irrespective of the person buying a home, this act will definitely save quite a few trees.

SHARED BY (NAME)	PHONE/EMAIL	SIGNATURE

VTP PURVANCHAL

Site Address: VTP Purvanchal, Opposite Radha Soami Ashram,
Kesnand Road, Wagholi, Pune - 412 207.
+91 20 3952 0960 | sales@vtprealty.in | www.vtprealty.in

Corporate Office: VTP House, Near Phoenix Mall, Nagar Road, Pune - 411 014.
Mumbai Office: 222, Trade Centre, BKC, Mumbai - 411 001.

Disclaimer: The information given herein is presented as general information about the project and no representation about the project or warranty is expressly or impliedly given as to its accuracy, completeness or correctness. The sanctioned plans, features, amenities, specifications reiterated may be added, omitted, shifted or amended by the developer without any notice to the customer. The photographs shown in this brochure are an artist's impression and may be changed as per the developer's discretion. Some photography is for illustrative purpose only and choice of models does not imply any racial preference. The dimensions mentioned in sq.m. are valid and dimensions mentioned in sq. ft. are for information only. Conversion table is; 1 sq.m. = 10.764 sq.ft. The areas mentioned herein might vary as per the new methodology of calculating the area as introduced by the new Regulation.

